

Part Number:
1990610

Models :
Classic 350cc, Classic 500cc,
Bullet 350cc, Bullet 500cc,
Electra 350cc,
Thunderbird 350cc, Thunderbird 500cc

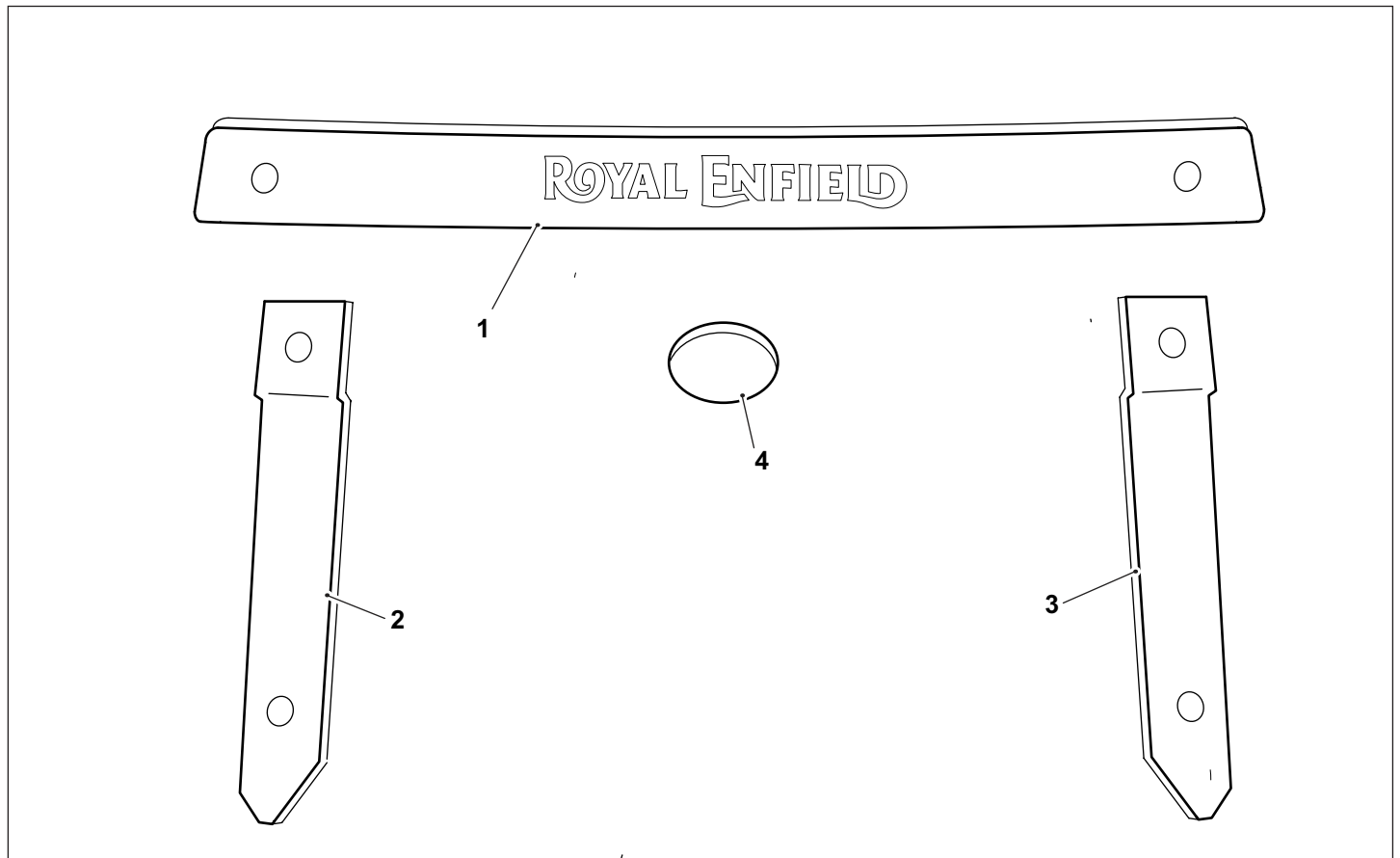
WARNING: Royal Enfield genuine accessories are designed to fit only the specific Royal Enfield motorcycle(s) that are specified above. They should not be fitted to any other type of motorcycle. Pay particular attention to the warnings and cautions contained in this instruction, failure to do so may result in an incorrect installation of the accessory which could result in an unsafe riding condition and possible accident. If in any doubt always seek the help from your authorised Royal Enfield dealer.

WARNING: Before starting any accessory kit installation ensure the motorcycle is supported in a stable condition. Failure to support the motorcycle correctly could lead to motorcycle damage or personal injury.

WARNING: All fixings must be tightened to the torque values specified in this instruction. Failure to tighten fixings to the correct torque could result in an unsafe riding condition and possible accident.

CAUTION: Care should be taken when fitting any accessory kit. Incorrect handling kit components or the use of incorrect tools could lead to component or motorcycle damage.

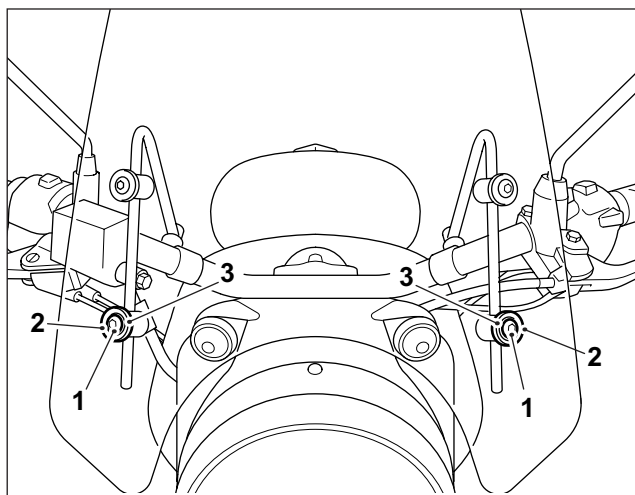
NOTE: The content of this instruction is subject to change at any time without notice or liability. Royal Enfield reserves the right to revise the information presented at any time.



Item	Description	Qty
1	Top embellisher	1
2	Side embellisher, right hand	1
3	Side embellisher, left hand	1
4	Foam pad	1

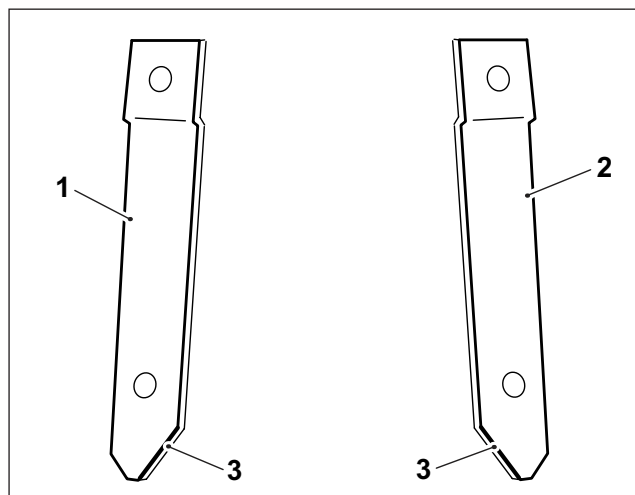
1 Remove the two lower screen fixings (1), metal washers (3) and rubber washers (2).

Discard the metal washers (3), retain the fixings (1) and rubber washers (2) for reuse.



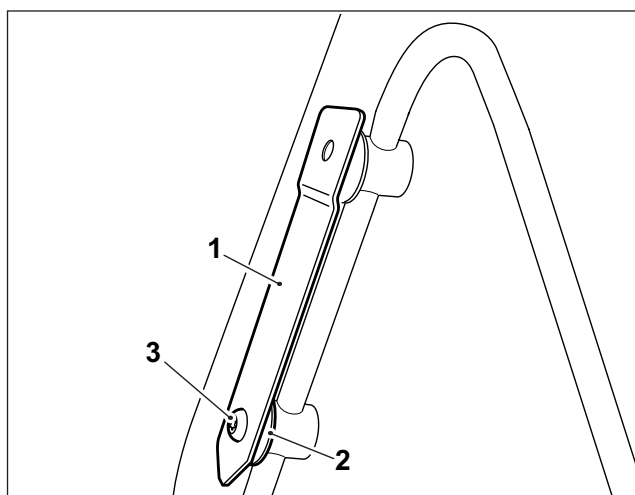
NOTE: The right hand (1) and left hand (2) side embelishers are identified by the profile of the embelisher at the lower mounting point.

The longer tapered edge (3) of the embelisher must always be positioned towards the centre of the motorcycle.

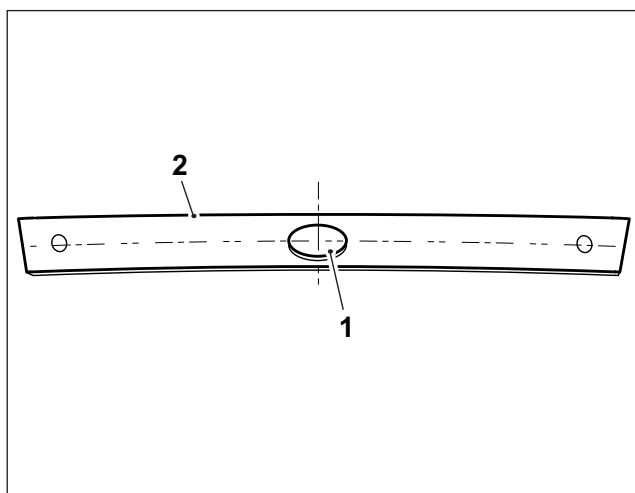


2 Position the right hand side embelisher (1) from the kit on to the windshield, with the original rubber washers (2) in the orientation shown. Loosely fit the original fixing (3).

Repeat for the left hand side embelisher.

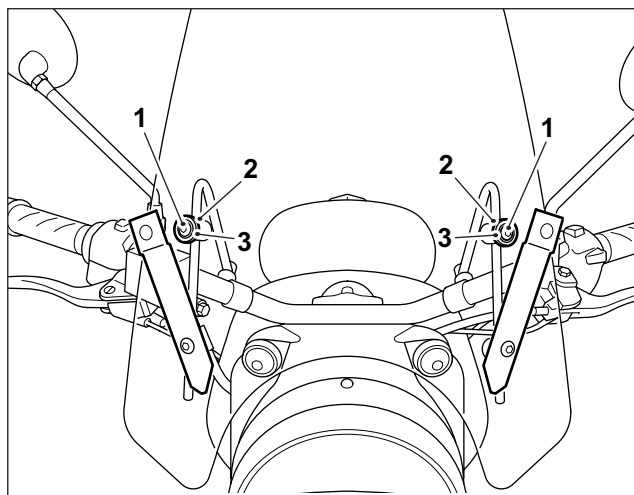


3 Remove the backing strip from the foam pad (1) from the kit and attach to the rear of the top embelisher (2), positioned in the centre of the embelisher as shown.

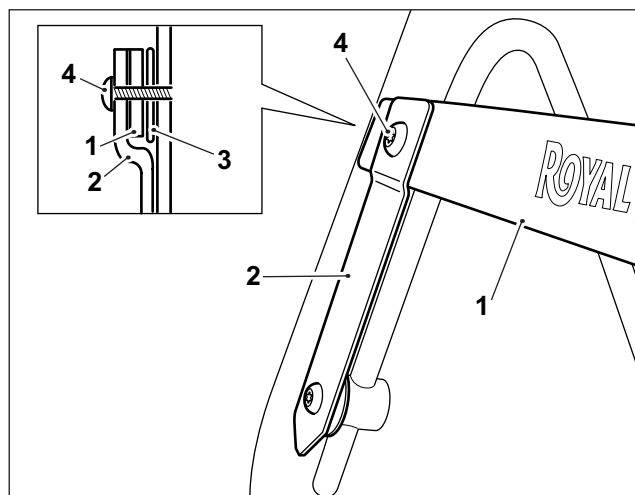


4 Remove the two upper screen fixings (1), metal washers (3) and rubber washers (2).

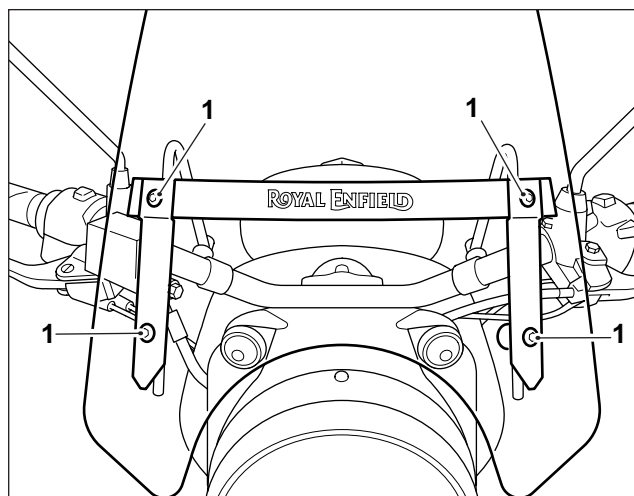
Discard the metal washers (3), retain the fixings (1) and rubber washers (2) for reuse.



5 Position the top embellisher (1) between the top of the side embellishers (2) and original rubber washers (3), right hand side shown. Align the top and side embellishers with the screen upper fixing positions. Fit the original screen fixings (4).



6 Apply a final torque to all screen fixings (1) of **22Nm**.



WARNING: After fitting any genuine Royal Enfield accessory always ride the motorcycle with caution and allow time to become familiar with any change in the motorcycle handling characteristics. Failure to become familiar with any change in the motorcycle handling characteristics may cause the motorcycle to become unstable and result in an accident.